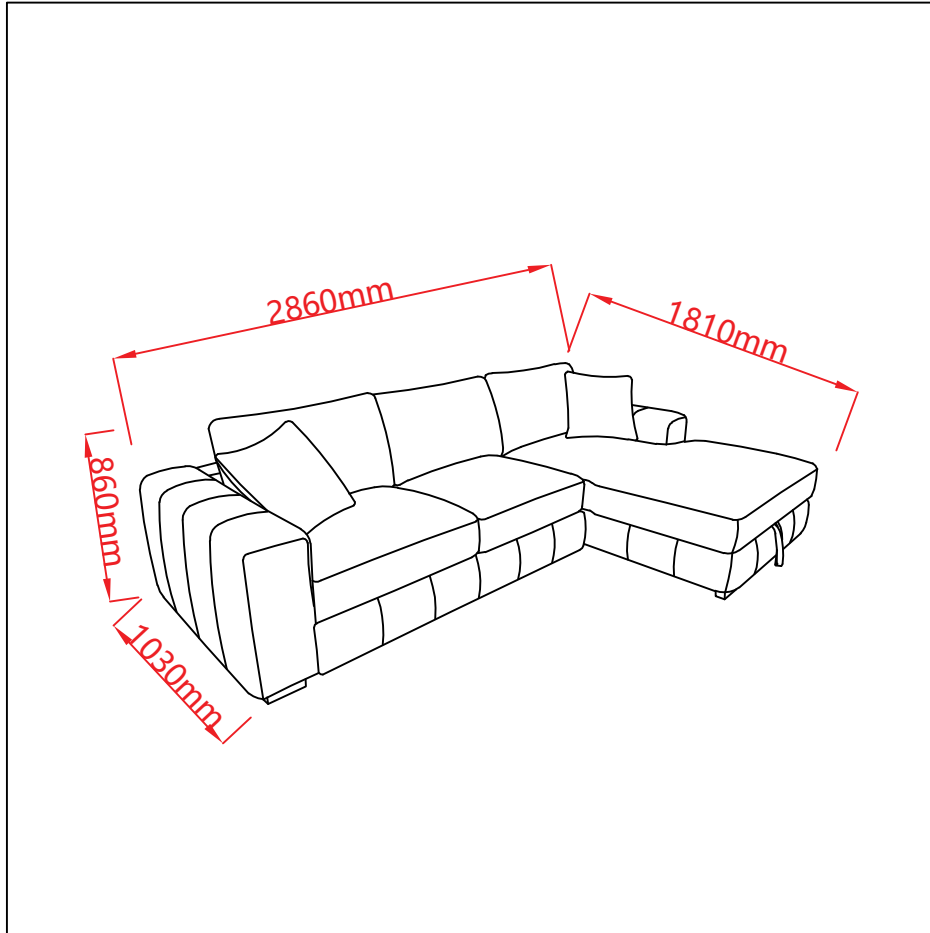




**ASSEMBLY INSTRUCTION**  
**ANWEN FABRIC 3 SEATER CHAISE**  
**SOFA BED**  
**ITEM CODE 8 7 0 1 8**

Imported by Amart Furniture Pty Ltd, Qld, Brisbane Australia.  
For any assistance with assembly or for missing parts please phone  
Amart furniture, Customer Service Free call 1800 351 084


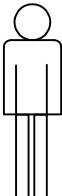



Imported by Amart Furniture Pty Ltd, Qld, Brisbane Australia.  
For any assistance with assembly or for missing parts please  
phone Amart Furniture, Customer Service Free Call  
1800 351 084

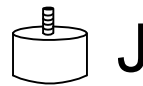
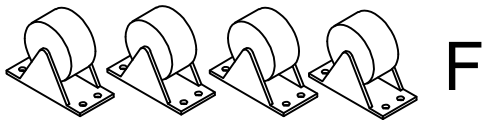
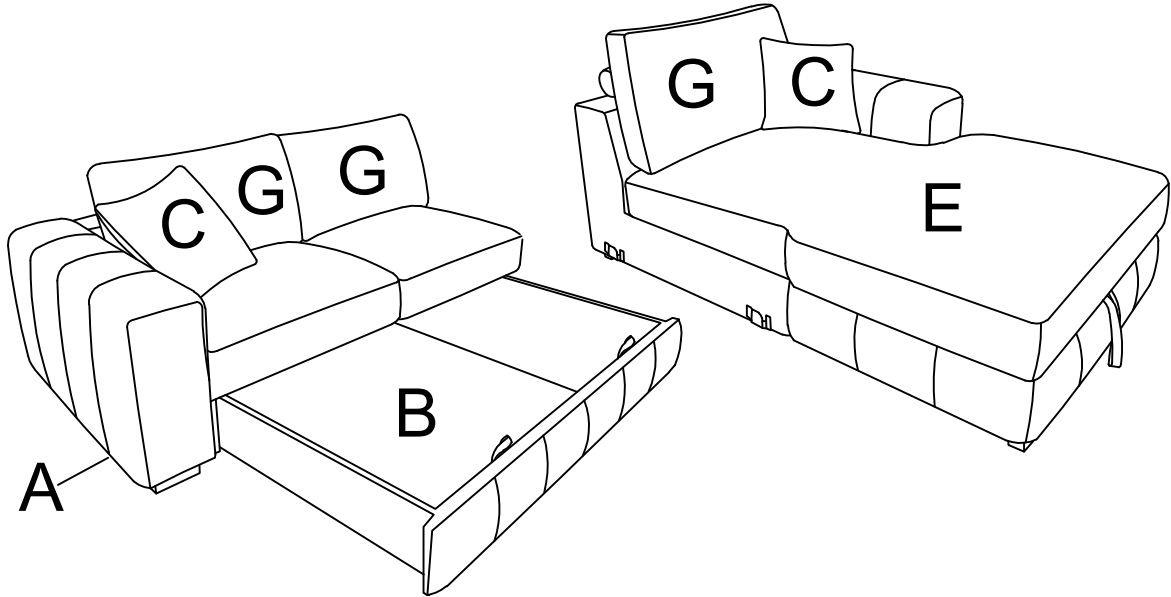
# PRE-ASSEMBLY PREPARATION

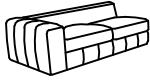
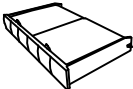

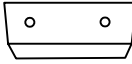





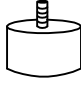
## Before you start:

1. Choose a clean, level, spacious assembly area. Avoid hard surfaces that may damage the product
2. Take care when lifting. Product should be assembled as near as possible to the point of use
3. Ensure that you have all required contents for complete assembly
4. Always read the assembly instructions carefully before beginning assembly
5. Keep all hardware parts and packaging out of small children
6. Do not over tighten the screws and bolts as this may damage the threads

		
ALLOW 30 MINUTES	2 PEOPLE REQUIRED	ADDITIONAL TOOLS REQUIRED

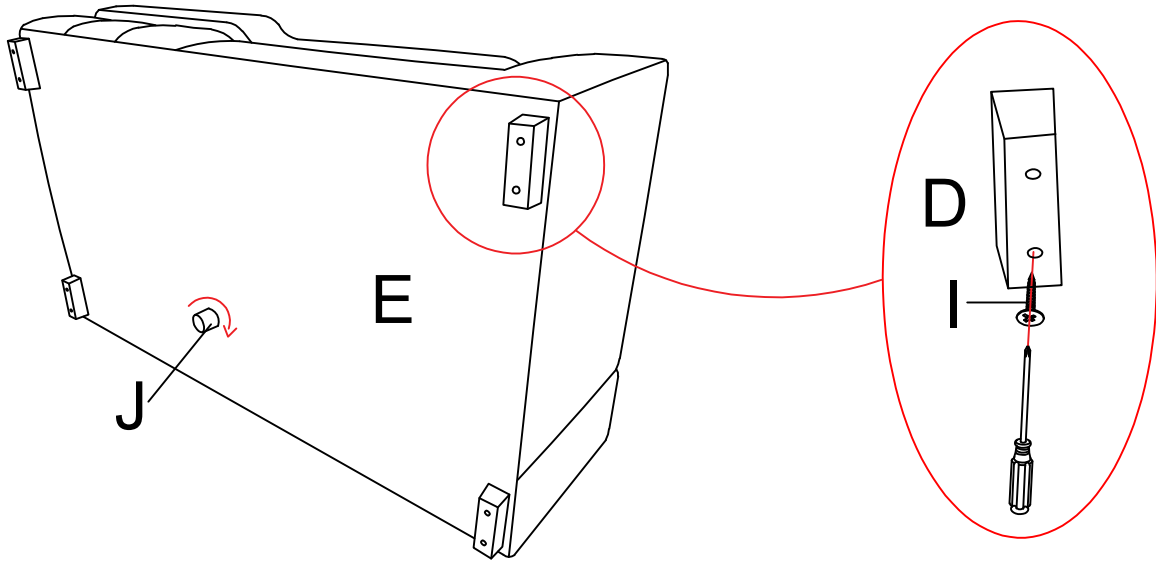
# PARTS LIST



A.1PC  Seat	B.1PC  Sofa bed	C.2PCS  Pillow	D.7PCS  Leg	E.1PC  Chaise
F.4PCS  Pulley	G.3PCS  Backrest	H.16PCS(M5*25mm)  Screw	I.14PCS(M5*50mm)  Screw	J.1PC  Leg

# STEP 1

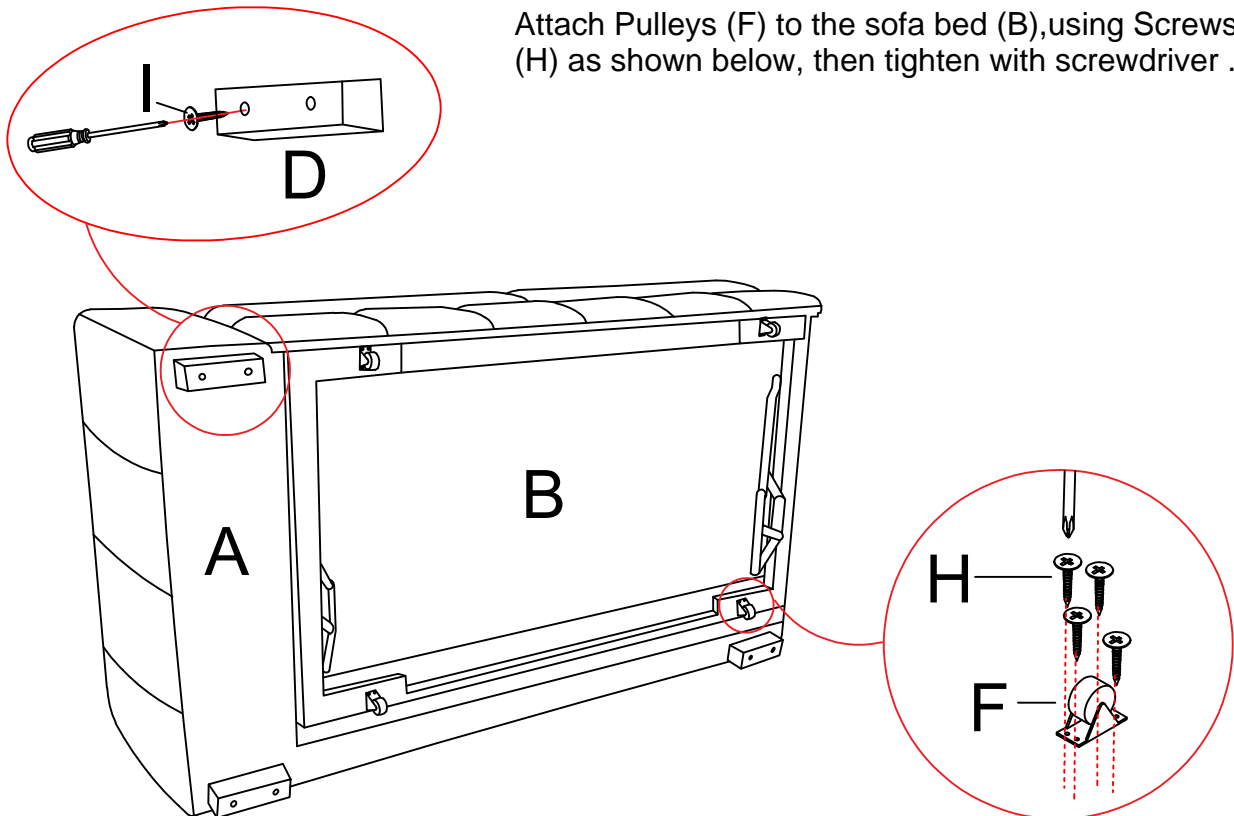
Attach Legs (D) to chaise (E), using Screws (I) as shown below, then tighten with screwdriver .Align the support leg (J) to the hole position and tighten.



# STEP 2

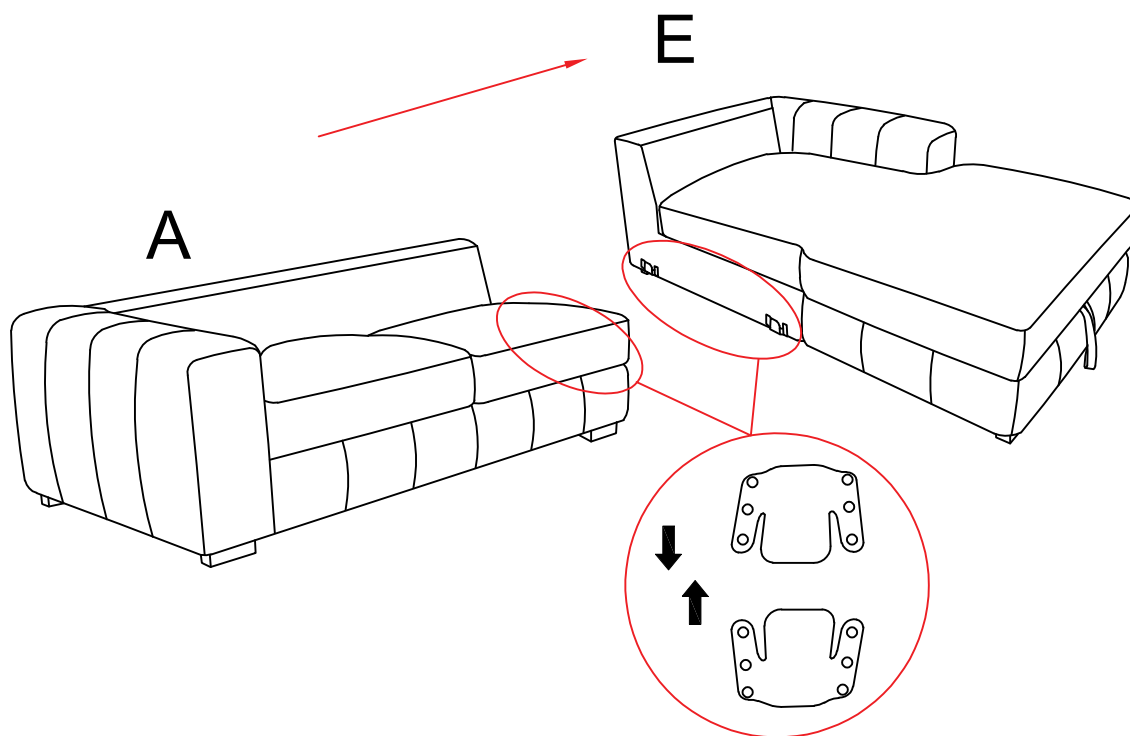
Attach Legs (D) to the seat (A), using Screws (I) as shown below, then tighten with screwdriver .

Attach Pulleys (F) to the sofa bed (B), using Screws (H) as shown below, then tighten with screwdriver .



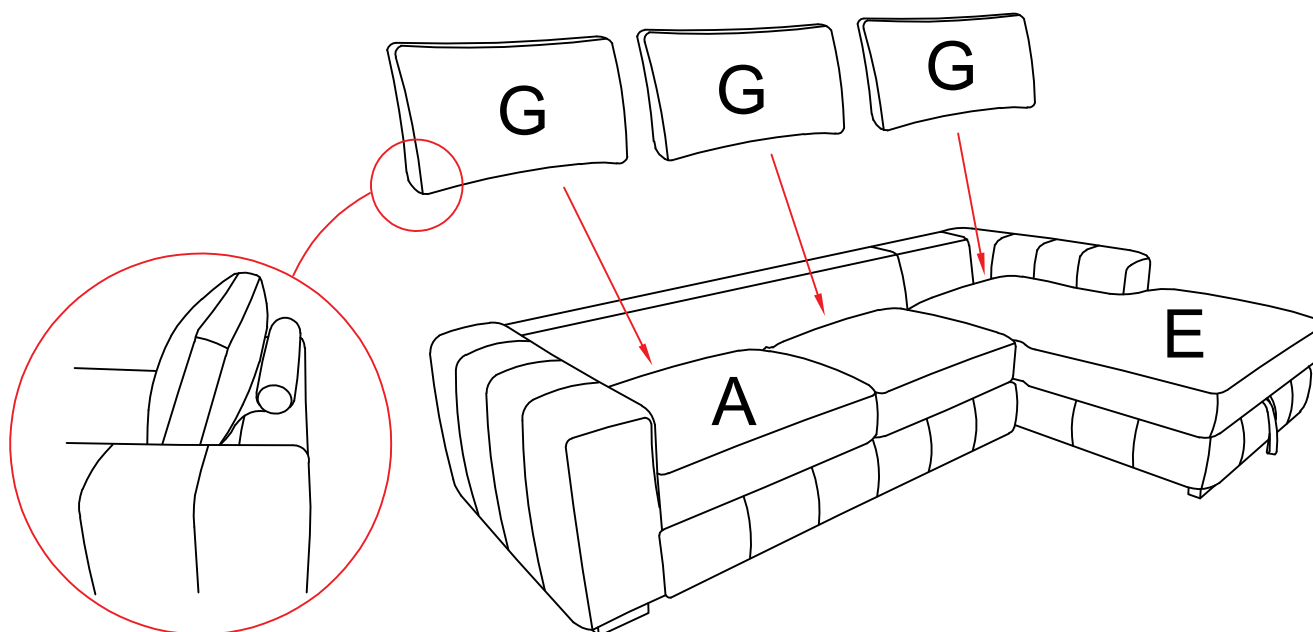
# STEP 3

Connect all the lounge pieces together using the connection clips ensuring that each clip is fully engaged.

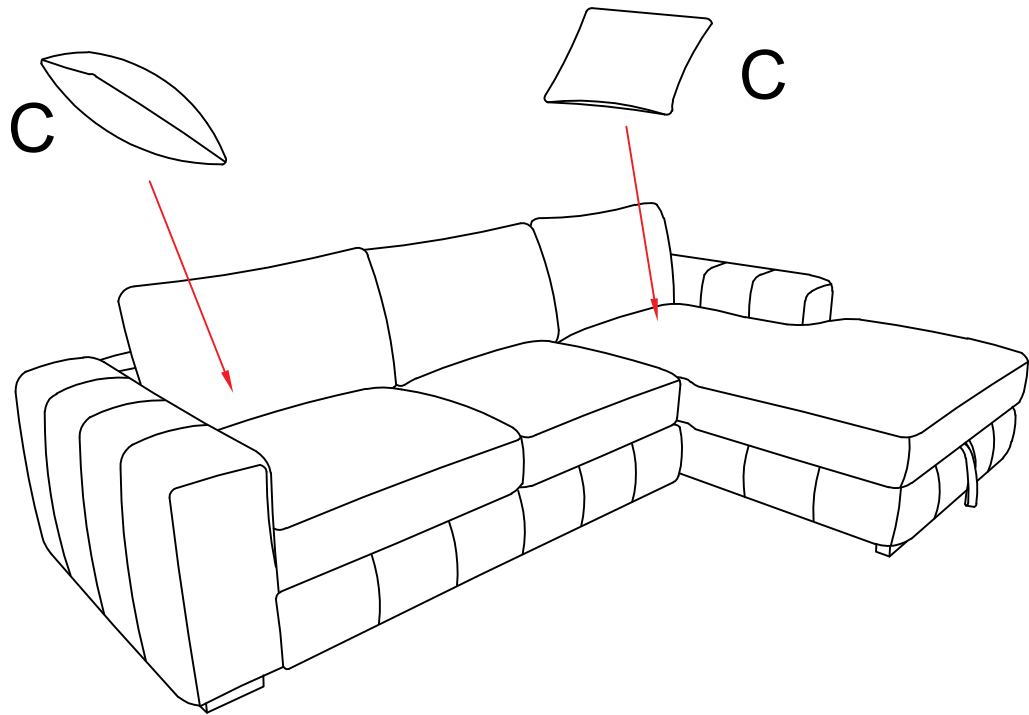


# STEP 4

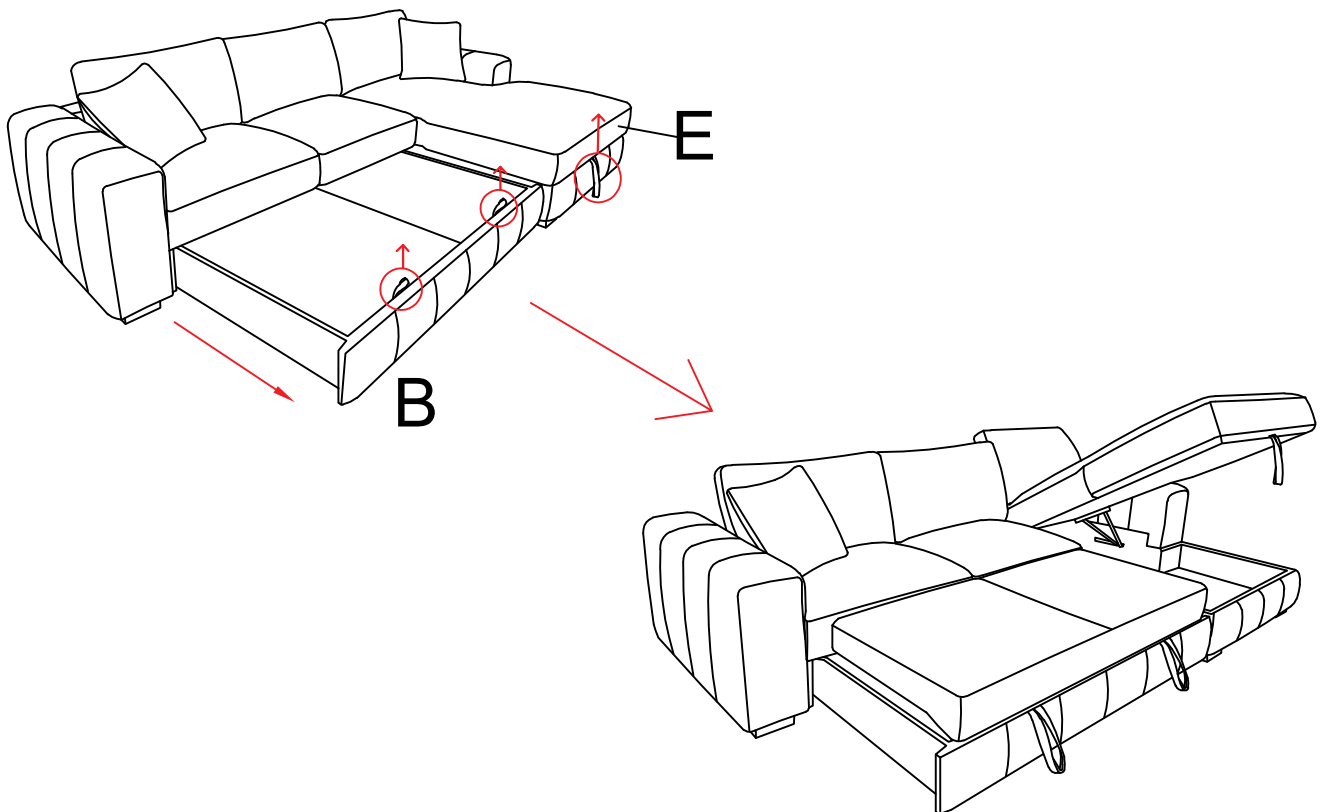
Arrange all the backrests in a neat order



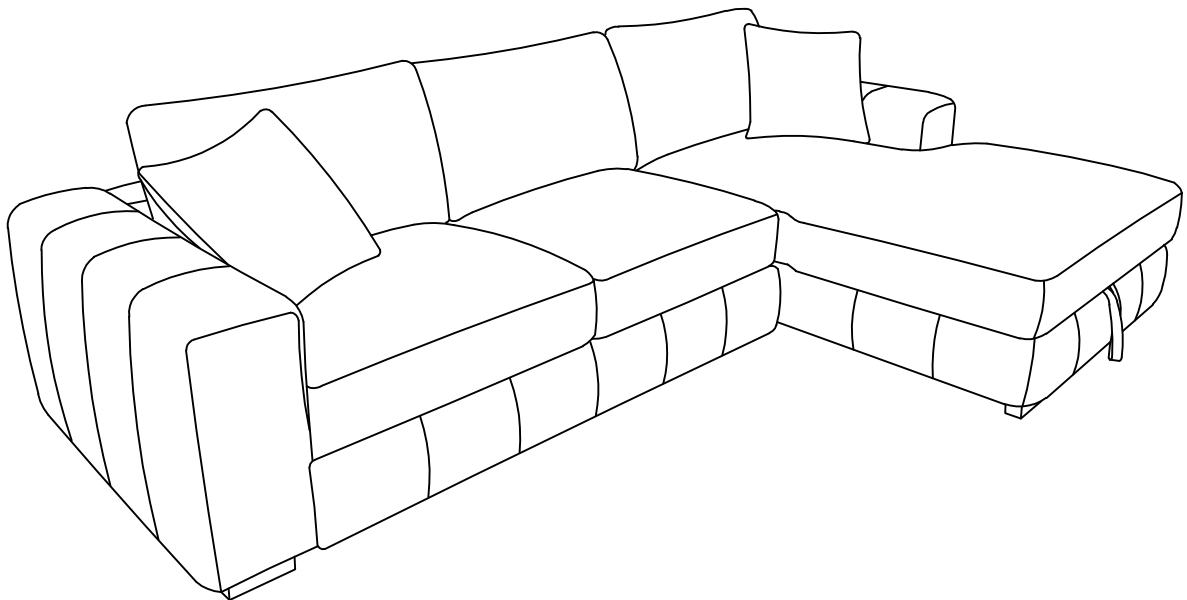
# STEP 5



# STEP 6



**ASSEMBLY IS COMPLETE**



# Fabric Care and Maintenance



## **REGULAR CARE:**

- Protect from direct sunlight
- Vacuum regularly using low suction
- Rotate reversible cushions regularly

## **CLEANING:**

- Do not remove cushion covers for separate cleaning even though they may have zippers
- Do not wash, Do not dry clean, Do not shampoo clean
- Clean with hot water extraction machine. Professional cleaning recommended
- Do not use dishwashing liquid or laundry detergent
- Use only upholstery detergents
- Do not wet filling
- Dry in shade away from direct heat and sunlight
- Allow to dry thoroughly before re-use

## **SPOT CLEANING:**

- Do not rub
- Do not spot clean with any solvent
- Treat spills and stains as soon as possible
- Gently scrape off any soil or mop any liquid from the surface of the fabric
- Apply proprietary cleaning agents strictly according to instructions to remove the residue of the spill
- Do not saturate the fabric or interior with water or other cleaning liquids

## **WARNING:**

Apply only water-based soil resist (fabric protection) treatments. Do not use aerosol products

\* PILLING IS NOT A FABRIC DEFECT OR FAULT AND IS NOT COVERED BY WARRANTY

\* PILLING IS A NORMAL OCCURRENCE CAUSED BY WEAR AND TEAR AND DOES NOT AFFECT THE DURABILITY OR FUNCTIONALITY OF THE FABRIC AND IS EASILY REMOVED